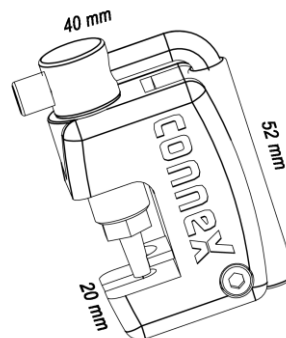


- **Compact tool for emergency**
- **Inclusive Connex Link**
- **Weight: 80 Gramm**

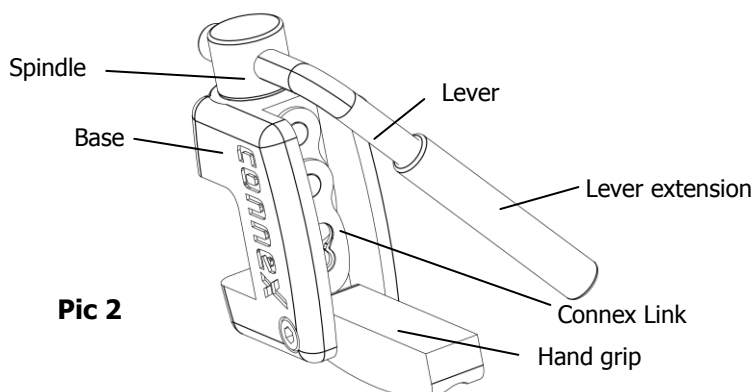
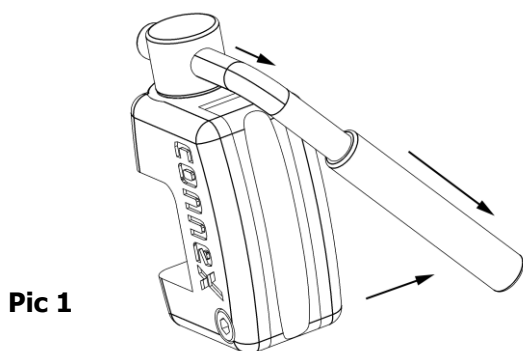


This chaintool is the perfect aid with chaincrack. The defective piece of chain of outseparate and with the enclosed Connex Link system the chain again lock.

Open the Chain Tool

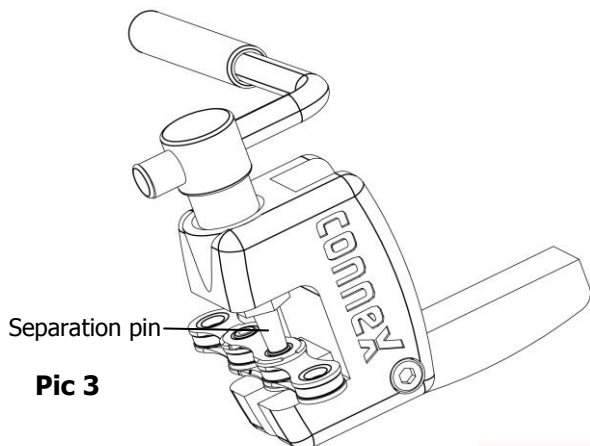
Attention! The Connex Link inside falls consciously easily out of the tool.

The lever to the side swing out and the lever extension up to the notice out draw (Pic 1). Now the hand grip out swivel and Connex Link take (Pic 2).



Chain separate

Chain into the roller apron insert and the spindle with the separation pin on the chain pins down turn to the chain is fixed. Examine whether the separation pin chain cutters with to out-separate the chain pin aligns. Now continue to turn the lever to the chain pins is expenditure-separate (Pic 3).



Tip

A well lubricated screw pillar reduces the necessary energy expenditure.